



ADM-2119AP-VHB

Panel Mount 19-inch 1000 nits Very High Bright Sunlight Readable LCD Display Monitor

Features

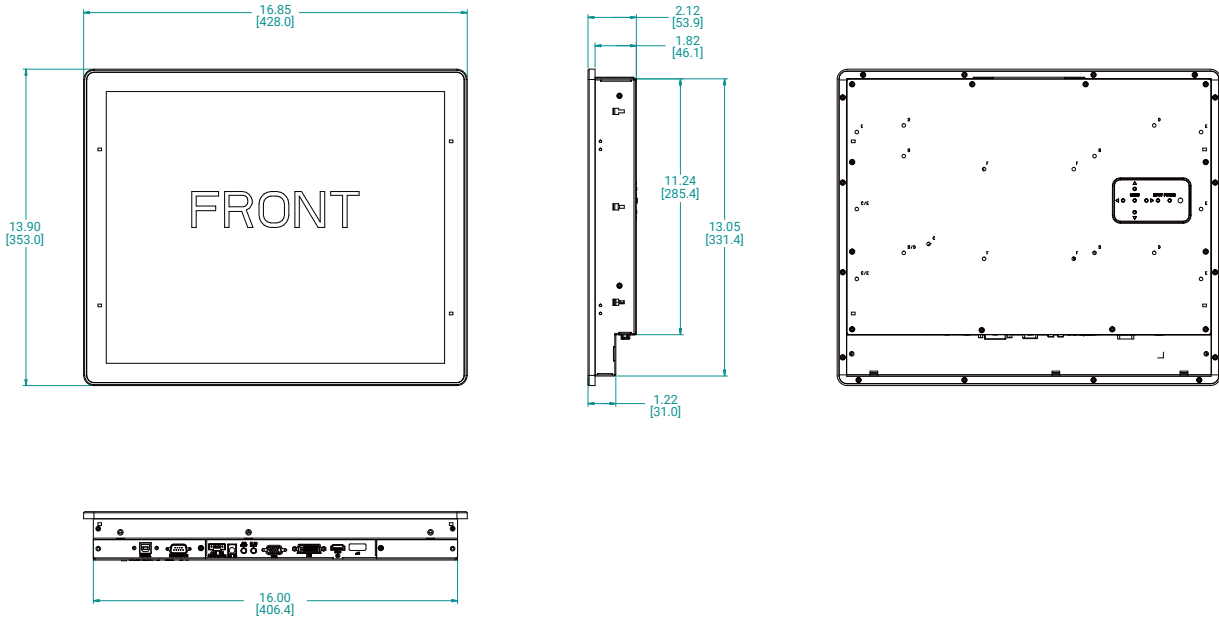
- 19-inch LCD Display, 1280 x 1024 resolutions
- 1000 nits Very High Bright Sunlight Readable
- Project Capacitive Touch Screen supports multi-touch
- Anodized Aluminum or Stainless-Steel Bezel
- Bezel meets IP65 / NEMA 4X requirements
- RS-232, USB Touch Interface.
- VGA, DVI Input
- 24VDC Operating Voltage option

Specifications

Model Name	ADM-2119AP-VHB
LCD Display	
Display Size (Diagonal)	19 inch
Resolution	1280 x 1024
Backlight Lifetime (Hours)	50,000
Visual Characteristics	
Colors	16.7 million
Aspect Ratio	5:4
Viewing Angle (V/H)	140° / 160°
Response Time (Typical)	5 ms
Pixel Pitch (mm)	0.294 x 0.294
Contrast Ratio	1000 : 1
Brightness	1000 nits
Input Interface	
VGA	Yes
DVI	Yes
HDMI	N/A
Display Port	N/A
CVBS	N/A
YPbPr	N/A
Touch Screen	
Technology	Projected Capacitive
Interface	USB
Driver	Win 7, Win10
Front Bezel	
NEMA 4	Aluminum
NEMA 4x	Stainless Steel (Optional)
Power/Thermal Specs	
Power Requirement (Max)	12VDC / 3.00A, 24VDC / 1.50A
Power Consumption (Max)	22W
Recommended Power Supply	36 W
Heat Dissipation	75 BTU/hr
Physical Information	
Mounting	Panel Mount
Net Weight	15 Lbs / 6.80 Kg
Dimension (W x H x D)	16.85 x 13.90 x 2.11 inch 428.0 x 353.0 x 53.6 mm
Recommended Cutout Dimension (WxH)	16.20 x 13.25 inch 411.4 x 336.4 mm
Environmental	
Operating Temperature	0~35°C (32~95°F)
Storage Temperature	-20 to 60°C (-4 to 140°F)
Relative Humidity	0~95%
IP/NEMA Rating	Bezel meets NEMA 4/4X requirement
Certification	N/A

Dimension Drawing

Model Name: ADM-2119AP-VHB
 Size Unit: inch(mm)



Ordering Information

Item	ADM-2119AP-H00-VHB	ADM-2119AP-H01-VHB
LCD Display	VHB 19" / 1280 x 1024	VHB 19" / 1280 x 1024
Touch Screen	5-Wire Resistive	5-Wire Resistive
Mounting	Panel Mount	Panel Mount
Enclosure	Black	Black
Power Supply	24VDC Input	12VDC Power Adaptor

Item	ADM-2119AP-H04-VHB	ADM-2119AP-H05-VHB
LCD Display	VHB 19" / 1280 x 1024	VHB 19" / 1280 x 1024
Touch Screen	5-Wire Resistive	5-Wire Resistive
Mounting	Panel Mount	Panel Mount
Enclosure	Stainless Steel	Stainless Steel
Power Supply	24VDC Input	12VDC Power Adaptor